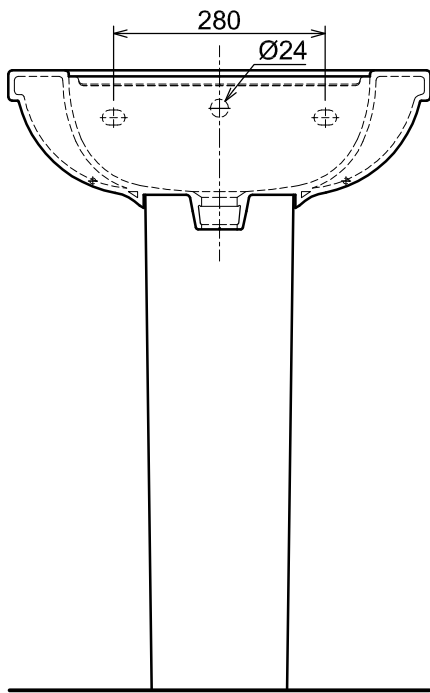
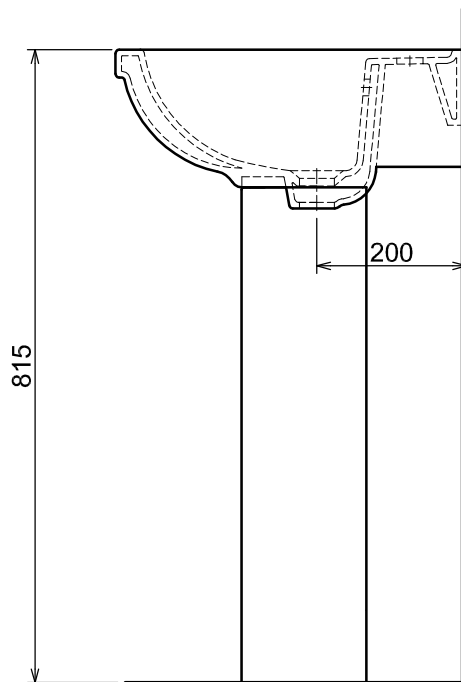


PLAN / TOP ELEVATION



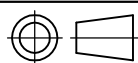
FRONT ELEVATION



SIDE ELEVATION

NO	ACCESSORIES	CODE
1	Wall Plug	UYU 1066 A
2	Overflow Ring	UYU 1064
3	Pedestal Floor Fixing Screw	UYU1300

UNLESS NOTED OTHERWISE ALL DIMENSION  
IN mm.  
TOLERANCE :  $\geq 75$  mm :  $\pm 2\%$   
 $< 75$  mm :  $\pm 5\%$



DRAFTING STANDARD  
**BS 308**

DRAWN HASLAM

CHECKED JOHAN

APPROVED YTNA

REV	DESCRIPTION	DATE	ESTABLISH DATE
1			07 - Jan - 16

*Clay Industries Sdn Bhd*

INFORMATION CONTAINED IN CISB TECHNICAL DOCUMENT IS CONFIDENTIAL & REMAIN THE PROPERTY OF CLAY INDUSTRIES SDN BHD - VITREOUS CHINA DIVISION.

DRAWING TITLE :

WB 1140 cw BP 1173 - Thames

DRAWING No. :

TPD - WB / 16 - 01

REV No. :

0

SIZE :

A4

SCALE : 1 : 10

SHEET : 1 Of 1