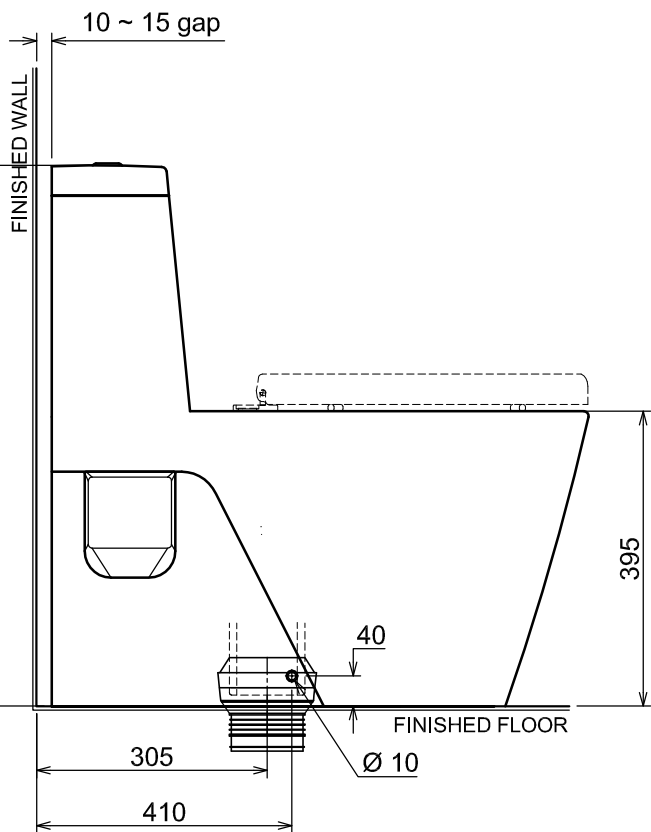
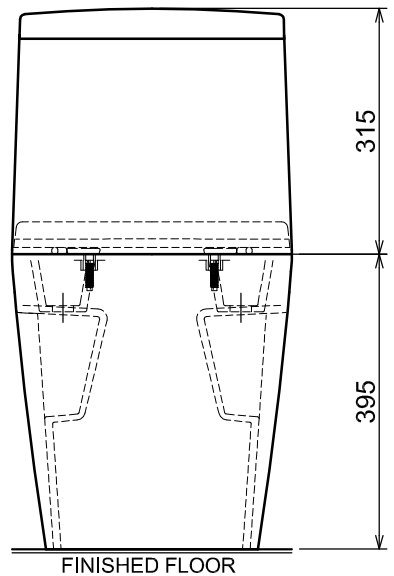


PLAN / TOP ELEVATION



SIDE ELEVATION



FRONT ELEVATION

NO	ACCESSORIES	CODE
1	Seat & Cover	USC245MSHD_WSWT
2	Floor Fixing Screw and Bracket	UYU 1065 K
3	Internal Fitting	SNWC1699DFBC5_3LWS
4	Straight Connector (Optional)	UCONO1
5	18" WS Flexible Hose For Water Inlet With Abs Nuts	UYU1293

UNLESS NOTED OTHERWISE ALL DIMENSION IN mm.
TOLERANCE : ≥ 75 mm : ± 2 %
< 75 mm : ± 5 %



DRAFTING STANDARD
BS 308

DRAWN

HASLAM

CHECKED

JOHAN

APPROVED

Clay Industries Sdn Bhd™

INFORMATION CONTAINED IN THIS TECHNICAL DOCUMENT IS CONFIDENTIAL & REMAINS THE PROPERTY OF CLAY INDUSTRIES SDN BHD - VITREOUS CHINA DIVISION.

DRAWING TITLE :
WC 1699 B

DRAWING No. :
TPD - WC / 15 - 06

REV No. :
0

SIZE :
A4

REV DESCRIPTION

DATE

ESTABLISH DATE

27 - Jul - 15

SCALE : 1 : 10

SHEET : 1 Of 1