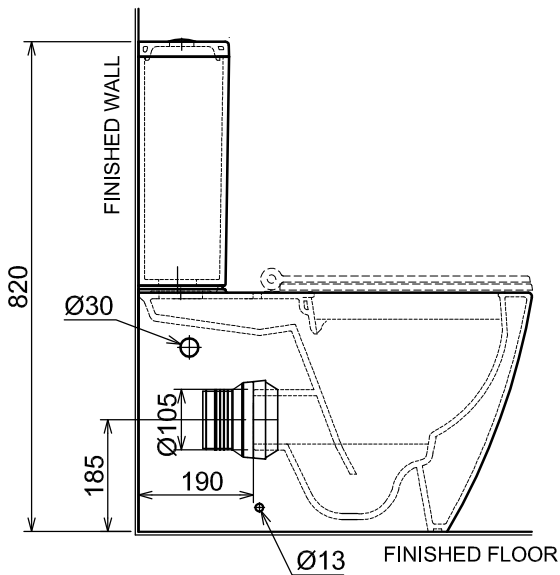
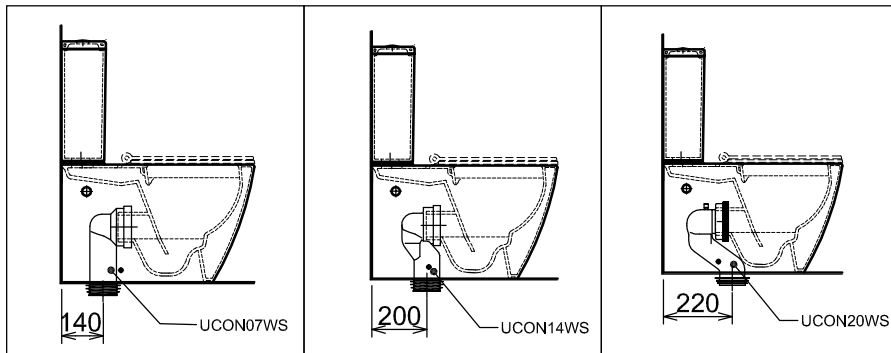
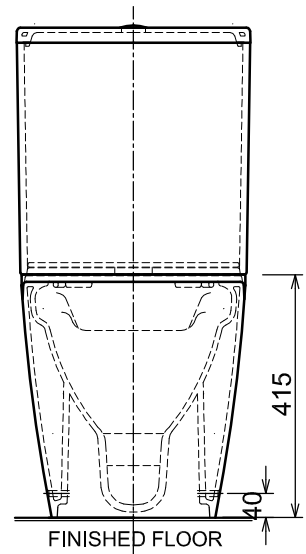


PLAN / TOP ELEVATION



SIDE ELEVATION



FRONT ELEVATION

| NO | ACCESSORIES | CODE |
|----|--|---|
| 1 | Straight Connector | UCON01 |
| 2 | Floor Fixing Screw | UY1065K |
| 3 | Seat & Cover | USCB6101SWT |
| 4 | Internal Fitting (4_3L,3.5_2.5L) | SLNC3032DFBB4_3LGBT,SLNC3032DFBB35_25LGBT |
| 6 | S Converter TD : 140/200/220 | UCON07WS/UCON14WS/UCON20WS |
| 7 | 12" Flexible Hose For Water Inlet - Stainless Steel. | UWSFP30T |
| 8 | Angle Valve | UWSAV85T |

UNLESS NOTED OTHERWISE ALL DIMENSION IN mm.
TOLERANCE : ≥ 75 mm : $\pm 2\%$
 < 75 mm : $\pm 0.5\%$



DRAFTING STANDARD
BS 308

DRAWN HASLAM

CHECKED BF KWONG

APPROVED

ESTABLISH DATE 05 - Jun - 18

Clay Industries Sdn Bhd™

INFORMATION CONTAINED IN CISB TECHNICAL DOCUMENT IS CONFIDENTIAL & REMAIN THE PROPERTY OF CLAY INDUSTRIES SDN BHD - VITREOUS CHINA DIVISION.

DRAWING TITLE : **WC 4103 P cw LC 3032D**
CALLISTO - II RIMLESS CC

DRAWING No. :
TPD - WC / 18 - 23

REV No. :
1

SIZE :
A4

SCALE : 1 : 10 SHEET : 1 of 1