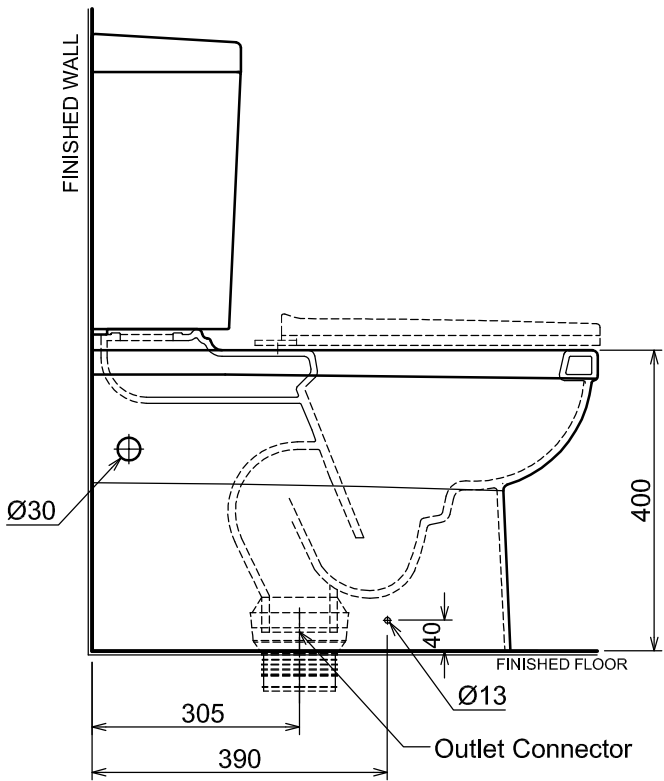
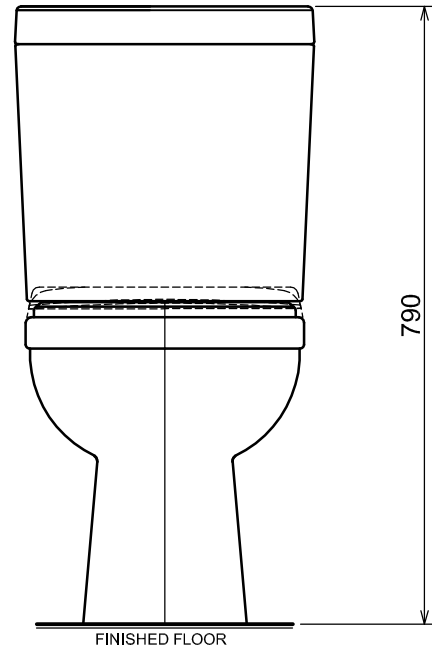


PLAN / TOP ELEVATION



SIDE ELEVATION

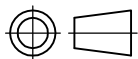


FRONT ELEVATION

NO	ACCESSORIES	CODE
1	Seat & Cover	USCU2020SWT
2	Floor Fixing Screw	UYU1065K
3	Outlet Connector - TD 305 / TD 260	UCON01 / UCON10
4	Internal Fitting	SNLC3310DFBB5_3SQGBT1
5	Angle Valve	UDAV305
6	S/Steel Flexible Hose - 18"	UOFF45T

UNLESS NOTED OTHERWISE ALL DIMENSION IN mm.

TOLERANCE : ≥ 75 mm : $\pm 2\%$
 < 75 mm : $\pm 5\%$



DRAFTING STANDARD
BS 308

DRAWN HASLAM

CHECKED JOHAN

APPROVED



SILVERDALE

INFORMATION CONTAINED IN CISE TECHNICAL DOCUMENT IS CONFIDENTIAL & REMAIN THE PROPERTY OF CLAY INDUSTRIES SDN BHD - VITREOUS CHINA DIVISION.

DRAWING TITLE : **WC 4460 B c/w LC 3310**
Thames CC Pan

DRAWING No. :
 TPD - WC / 16 - 03

REV No. :
 0

SIZE :
A4

REV	DESCRIPTION	DATE	ESTABLISH DATE	01 - Mar -16	SCALE :	1 : 10	SHEET :	1 Of 1
1								