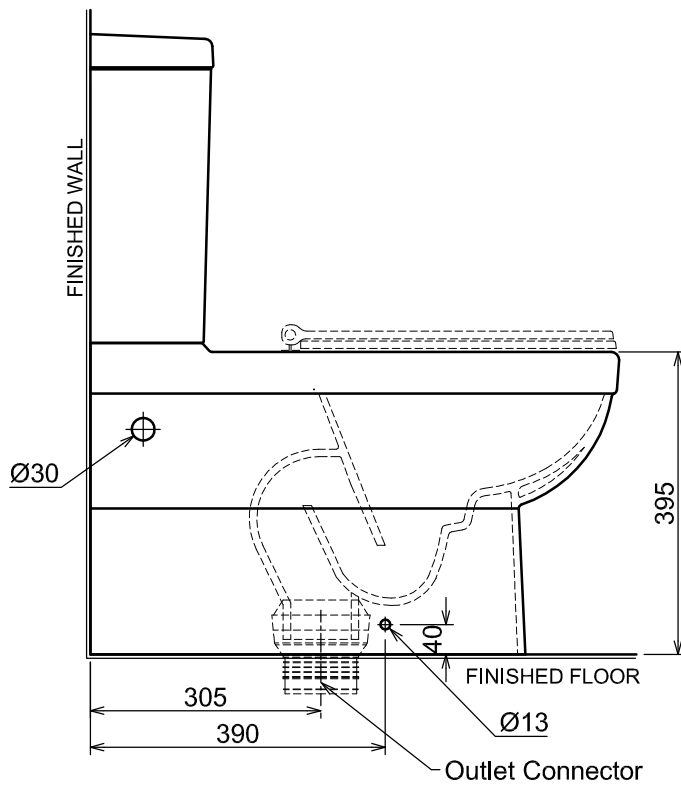
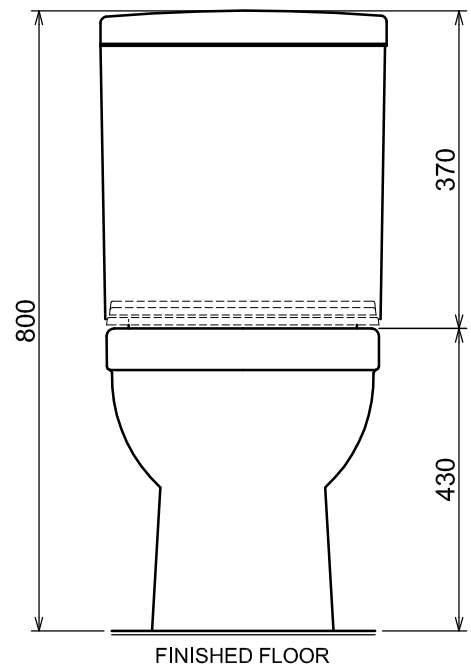


PLAN / TOP ELEVATION



SIDE ELEVATION



FRONT ELEVATION

NO	ACCESSORIES	CODE
1	Seat & Cover	USCB6101SWT
2	Floor Fixing Screw	UYU1065K
3	Outlet Connector - TD 305 mm / TD 260 mm	UCON 01 / UCON 10
4	Internal Fitting	SNLC3313DFBB53SQGBT1
5	Angle Valve	UOAV305
6	S/Steel Flexible Hose - 18"	UOFP45T

UNLESS NOTED OTHERWISE ALL DIMENSION IN mm.  
TOLERANCE :  $\geq 75$  mm :  $\pm 2\%$   
 $< 75$  mm :  $\pm 5\%$



DRAFTING STANDARD  
**BS 308**

DRAWN HASLAM

CHECKED JOHAN

APPROVED



**SILVERDALE**

INFORMATION CONTAINED IN THIS TECHNICAL DOCUMENT IS CONFIDENTIAL & REMAINS THE PROPERTY OF CLAY INDUSTRIES SDN BHD - VITREOUS CHINA DIVISION.

DRAWING TITLE : **WC 4463 B c/w LC 3313**  
*Richmond CC Pan*

DRAWING No. :  
TPD - WC / 16 - 02

REV No :  
0

SIZE :  
A4

REV DESCRIPTION DATE ESTABLISH DATE 02 - Feb - 16 SCALE : NTS SHEET : 1 of 1