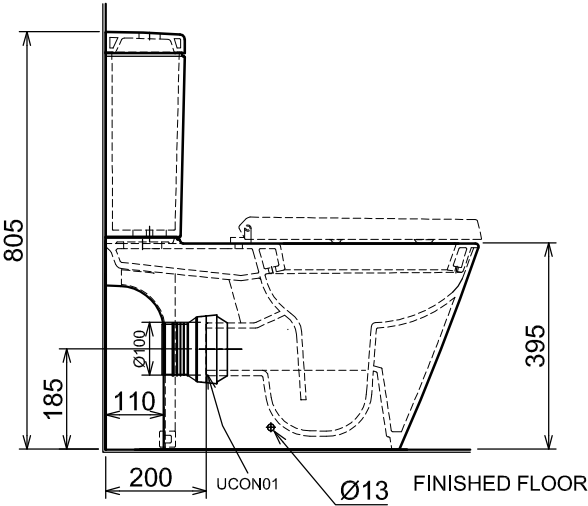
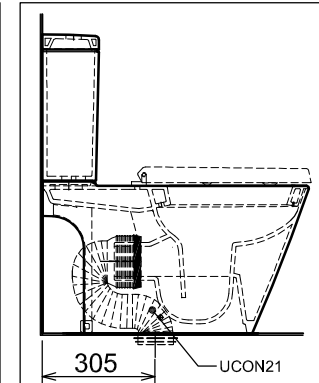
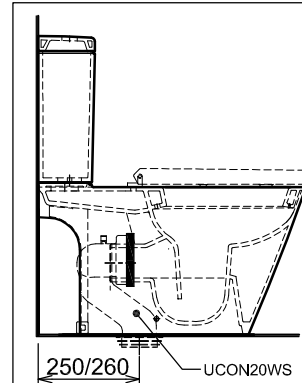
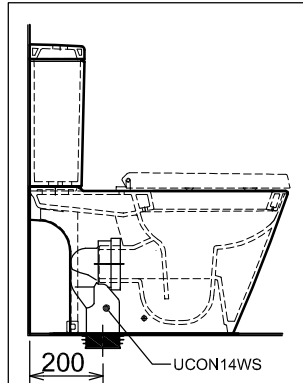
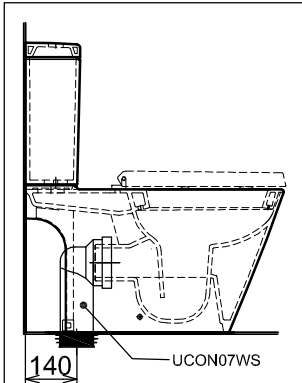
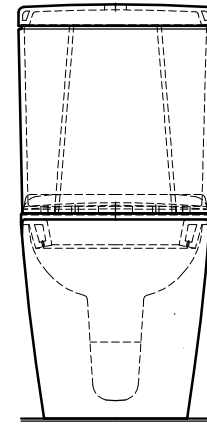


PLAN / TOP ELEVATION



SIDE ELEVATION



FRONT ELEVATION

NO	ACCESSORIES	CODE
1	Straight Connector	UCON01
2	Floor Fixing Screw	UY11065K
3	Seat & Cover	USC245MSHD_WSWT
4	Internal Fitting	SNLC3022DFBC5_3LWS
5	S Converter TD : 140/200/250&260/305	UCON07WS/UCON14WS/UCON20WS/UCON21

UNLESS NOTED OTHERWISE ALL DIMENSION IN mm.
TOLERANCE : ≥ 75 mm : ± 2 %
< 75 mm : ± 5 %

	DRAFTING STANDARD BS 308
DRAWN	HASLAM
CHECKED	BF KWONG
APPROVED	

Clay Industries Sdn Bhd

INFORMATION CONTAINED IN CISB TECHNICAL DOCUMENT IS CONFIDENTIAL & REMAIN THE PROPERTY OF CLAY INDUSTRIES SDN BHD - VITREOUS CHINA DIVISION.

DRAWING TITLE :
WC 4543 P cw LC 3022 D

DRAWING No. :	REV No. :	SIZE :
TPD - WC / 19 - 18a	0	A4

REV	DESCRIPTION	DATE	ESTABLISH DATE
1			18 - Feb - 2021

SCALE :	SHEET :
1 : 10	1 Of 1